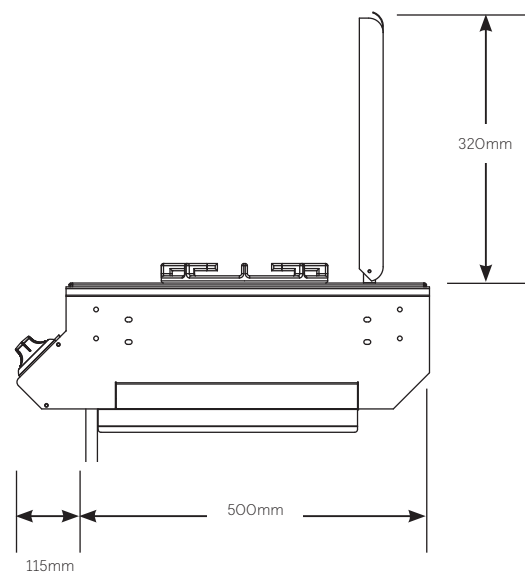
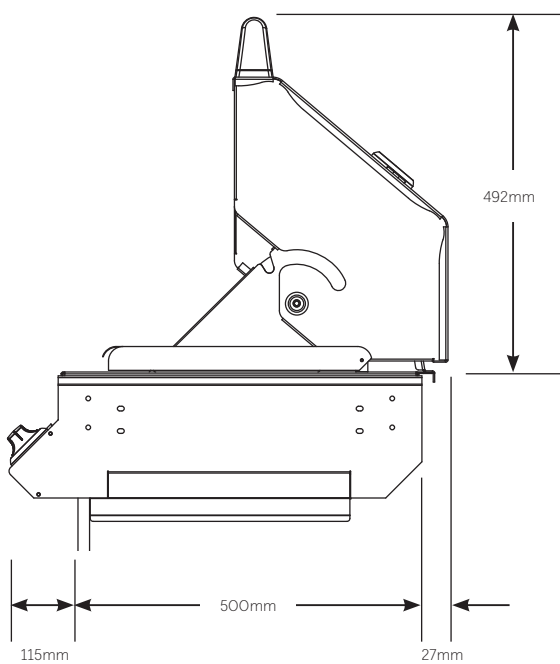
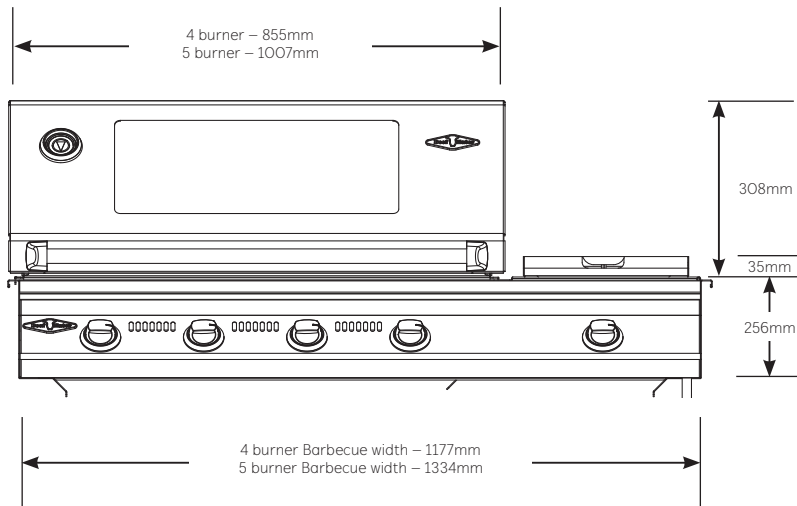
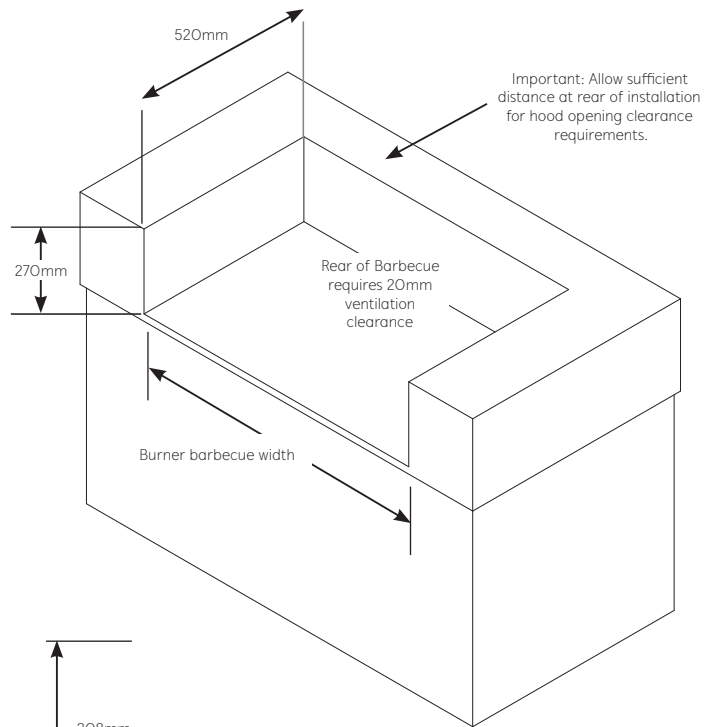


## SIGNATURE SL BUILT-IN SERIES CUT OUT DIMENSIONS

For built-in installations: islands, masonry, other non-combustible material structures.

| Signature SL Built-In Barbecues                  | 4 burner | 5 burner |
|--|----------|----------|
| Width  | 1190mm   | 1345mm   |
| Height   | 270mm    | 270mm    |
| Depth (includes 20mm rear ventilation clearance) | 520mm    | 520mm    |
| Minimum clearance to combustible materials       | 450mm    | 450mm    |

To suit models BS31560 and BS31550



Please note: Dimensions to be used as a guide only. All customers MUST refer to the user manual supplied with the product for detailed installation instructions.